

# HX10E 2000X540

## LIFTING STABILITY



### HX10

The HX10 series, which is available in both a manual and an electric version, allows for easy and light lifting to a height of 800 mm, thus becoming a practical work platform, which is suitable for places such as machine workshops. This pallet truck is also able to carry out the support function and material supply along the assembly and production lines.

### CONTROL LEVER

The redesigned hydraulic unit allows for less effort at the steering wheel for all loads and a quick elevated function (30 cycles) for loads up to 150 kg.



### EMERGENCY PUSHBUTTON

The emergency pushbutton with a battery cut-off (isolator) switch function and an off-load valve allows for a smoother lowering of the load; these are some of the devices that make the work safer and more efficient.



## FRONT AND REAR STABILISERS

The new control linkage makes the entry onto the closed side of the pallet possible by slight lifting, which facilitates the successive handling phases. Furthermore, more machine stability has been obtained using load rollers in a more advanced position and by providing front stabilisers as a standard.

Rear stabilizers, in turn, render work stable and safe even in the case of elevated loads once the 400 mm of lifting up have been exceeded.



## PHOTO AUTO LEVELING SYSTEM

- An automatic system which, by means of a photocell, adjusts the height of the forks, thus maintaining the work height set.
- An optical and acoustic signal is activated at every fork movement.
- Possibility of adjusting the photocell both in height and reading angle.
- Micro-switch, active both on the way up to prevent superfluous absorption of energy and on the way down to protect the operator.



### Descriere

|                                                 |          |    |      |
|-------------------------------------------------|----------|----|------|
| 1.1 Producător                                  | LIFTER   |    |      |
| 1.3 Comandă                                     | Manual   |    |      |
| 1.4 Poziție operare                             | Pedestru |    |      |
| 1.5 Capacitate maximă                           | Q        | Kg | 1000 |
| 1.6 Distanța la centrul de aplicare al sarcinii | c        | mm | 1000 |
| 1.8 Sarcina de la osie la capătul furcilor      | x        | mm | 1509 |
| 1.9 Ampatament                                  | y        | mm | 1748 |

### Greutăți

|                                             |    |     |
|---------------------------------------------|----|-----|
| 2.1 Greutate de operare (acumulator inclus) | Kg | 262 |
| 2.2 Sarcină osie, încărcare pe spate        | Kg | 801 |
| 2.2 Sarcină osie, încărcare pe față         | Kg | 461 |
| 2.3 Sarcină osie, liber față                | Kg | 169 |
| 2.3 Sarcină osie, liber spate               | Kg | 93  |

### Cauciucuri/Șasiuri

|                                                      |         |     |
|------------------------------------------------------|---------|-----|
| 3.1 Cauciucuri: roți direcție                        | RUBBER  |     |
| 3.1 Cauciucuri: transportoare cu role                | POLY.I. |     |
| 3.2 Mărime cauciuc: roți direcție - Lățime           | mm      | 50  |
| 3.2 Mărime cauciuc: roți direcție - Diametru         | mm      | 200 |
| 3.3 Mărime cauciuc: transportoare cu role - Diametru | mm      | 80  |
| 3.3 Mărime cauciuc: transportoare cu role - Lățime   | mm      | 50  |
| 3.5 Dimensiune cauciuc: roti spate                   | nr      | 2   |
| 3.6 Ecartament, față                                 | b10 mm  | 155 |
| 3.7 Ecartament, spate                                | b11 mm  | 447 |

## Dimensiuni

|                                                     |        |      |
|-----------------------------------------------------|--------|------|
| 4.4 Înălțime stivuitor                              | h3 mm  | 715  |
| 4.9 Înălțime manetă în poziția de deplasare, max    | h14 mm | 1300 |
| 4.9 Height of tiller in drive position min          | h14 mm | 915  |
| 4.15 Înălțime, coborât                              | h13 mm | 85   |
| 4.19 Lungime globală                                | l1 mm  | 2543 |
| 4.20 Distanța până la suprafața frontală a furcilor | l2 mm  | 540  |
| 4.21 Lățime globală                                 | b1 mm  | 540  |
| 4.22 Dimensiuni furcă - grosime                     | s mm   | 48   |
| 4.22 Dimensiuni furcă - Lățime                      | e mm   | 160  |
| 4.22 Dimensiuni furcă - Lungime                     | l mm   | 2000 |
| 4.25 Distanța între furci                           | b5 mm  | 540  |
| 4.32 Gardă la sol și mijloc ampatament              | m2 mm  | 21   |
| 4.34 Lățime culoar                                  | Ast mm | 2763 |
| 4.35 Rază de virare                                 | Wa mm  | 2058 |

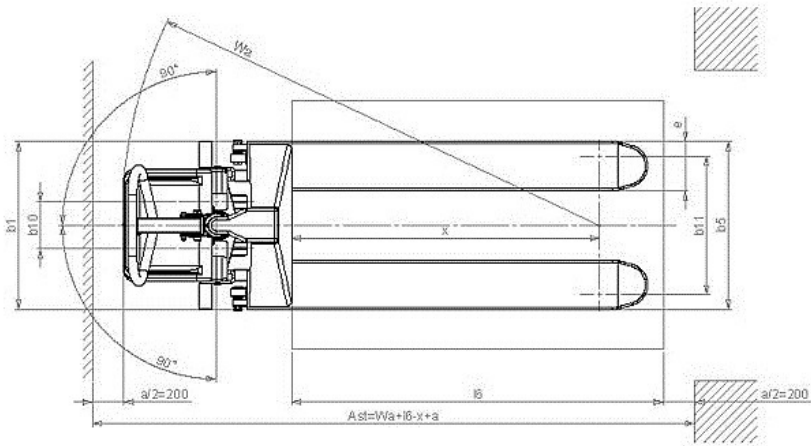
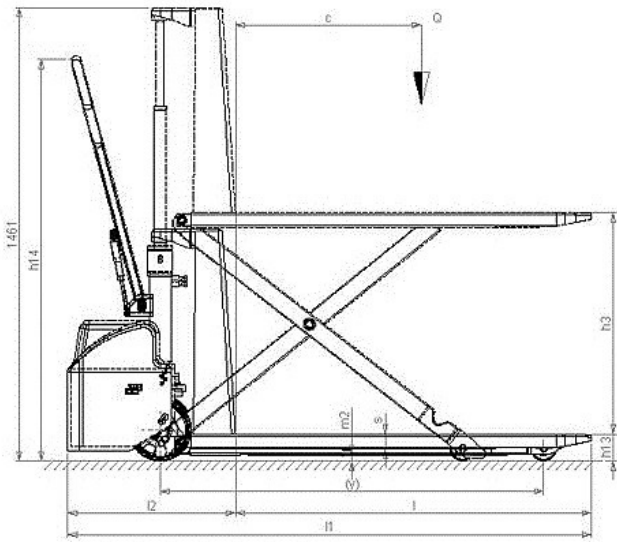
## Performante

|                                   |     |      |
|-----------------------------------|-----|------|
| 5.2 Viteză de ridicare, încărcat  | m/s | 0.08 |
| 5.2 Viteză de ridicare, descărcat | m/s | 0.13 |
| 5.3 Viteză de coborâre, încărcat  | m/s | 0.13 |
| 5.3 Viteză de coborâre, descărcat | m/s | 0.06 |

## Motoare electrice

|                                |      |                 |
|--------------------------------|------|-----------------|
| 6.2 Putere motor stivuitor     | kW   | 1.6             |
| Tip acumulator                 | Type | Automobil (C20) |
| 6.4 Tensiune acumulator        | V    | 12              |
| 6.4 Capacitate acumulator, Min | Ah   | 60              |
| 6.4 Capacitate acumulator, Max | Ah   | 60              |
| 6.5 Greutate acumulator, min   | Kg   | 14              |
| 6.5 Greutate acumulator, max   | Kg   | 14              |

\*Battery and external battery charger  
Also available in GEL version and with an integrated battery charger



The information is aligned with the Data file at the time of download. Printed on 01/10/2017 (ID 485)

©2017 | PR INDUSTRIAL s.r.l. | All rights reserved | Image shown may not reflect actual package.  
Specifications subject to change without notice

